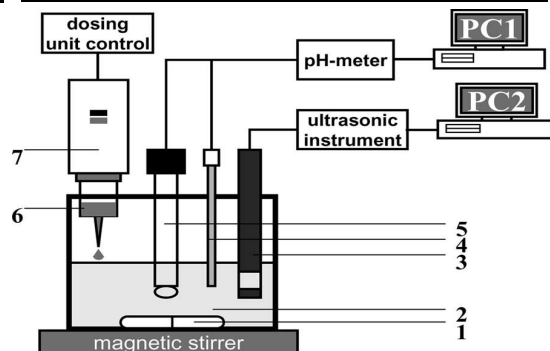
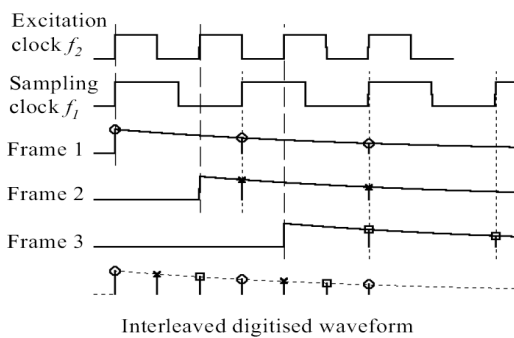
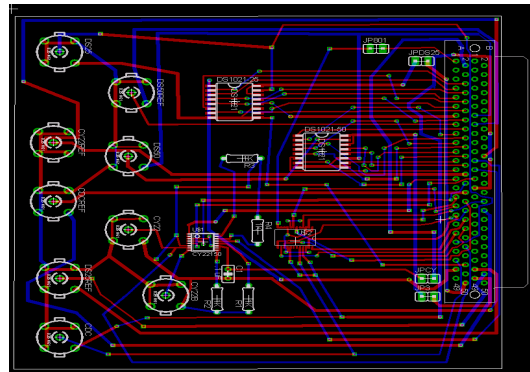
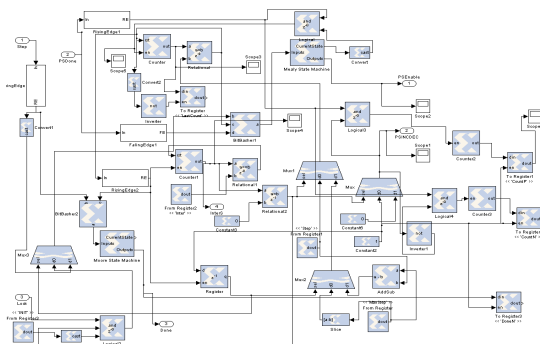


The Electrical Systems & Optics Research Division invites you to:

Applied Optics Group Lunchtime Seminar

“Design of high resolution ultrasonic instrumentation with applications”

Alexander Kalashnikov



1pm Wednesday 25 February 2009

2nd Floor Lecture Theatre

Tower Building. All welcome

<http://optics.eee.nottingham.ac.uk/seminars>