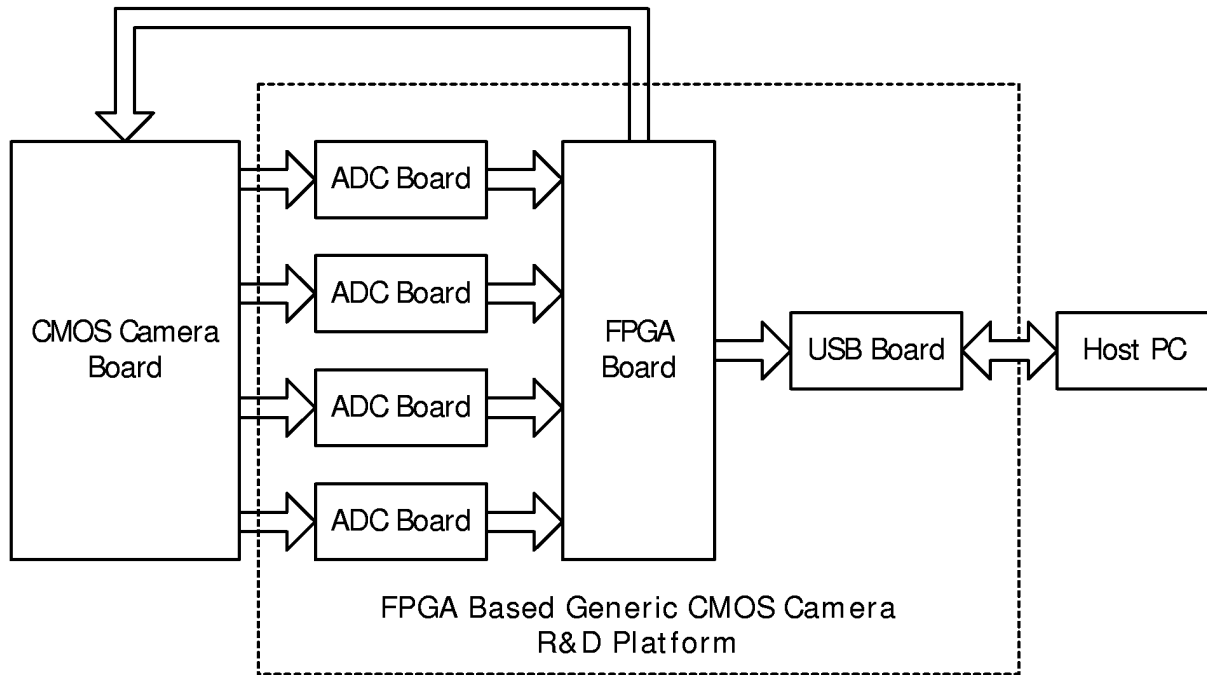


# Applied Optics and Ultrasonics Research Seminars

<http://optics.eee.nott.ac.uk/>



## “FPGA Based Generic CMOS Camera Research & Development Platform”

Yiqun Zhu, (AO)

1pm Thursday, 20 April 2006  
Room 203 Tower Building

All Welcome