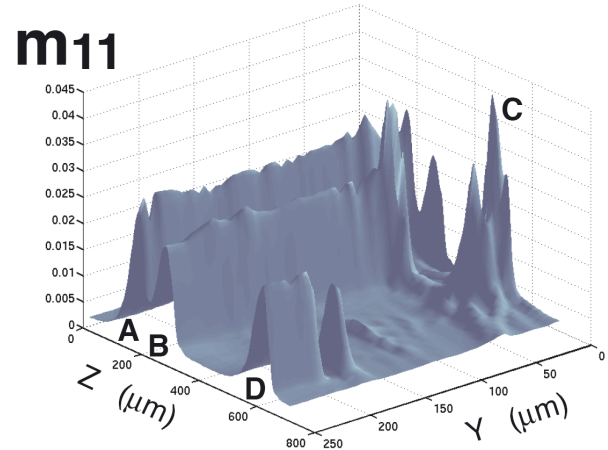
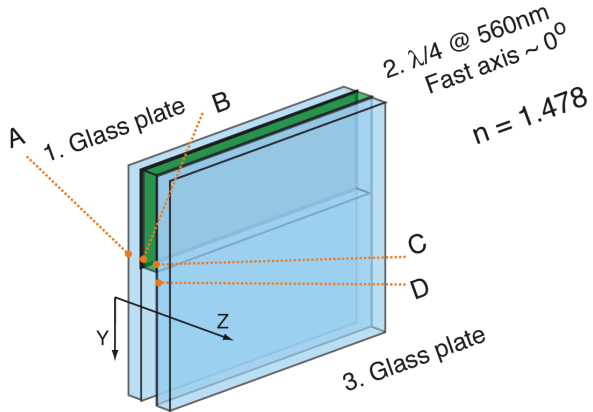


# Applied Optics and Ultrasonics Research Seminars

<http://optics.eee.nott.ac.uk/>



“Three-dimensional complete polarisation sensitive imaging”

David Lara, (NUI Galway)

1pm Thursday, 16 February 2006  
Room 203 Tower Building

All Welcome